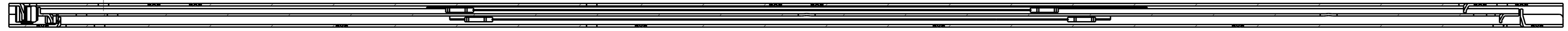


1 2 3 4 5 6 7 8 9 10 11 12 13 14 15 16 17 18 19 20

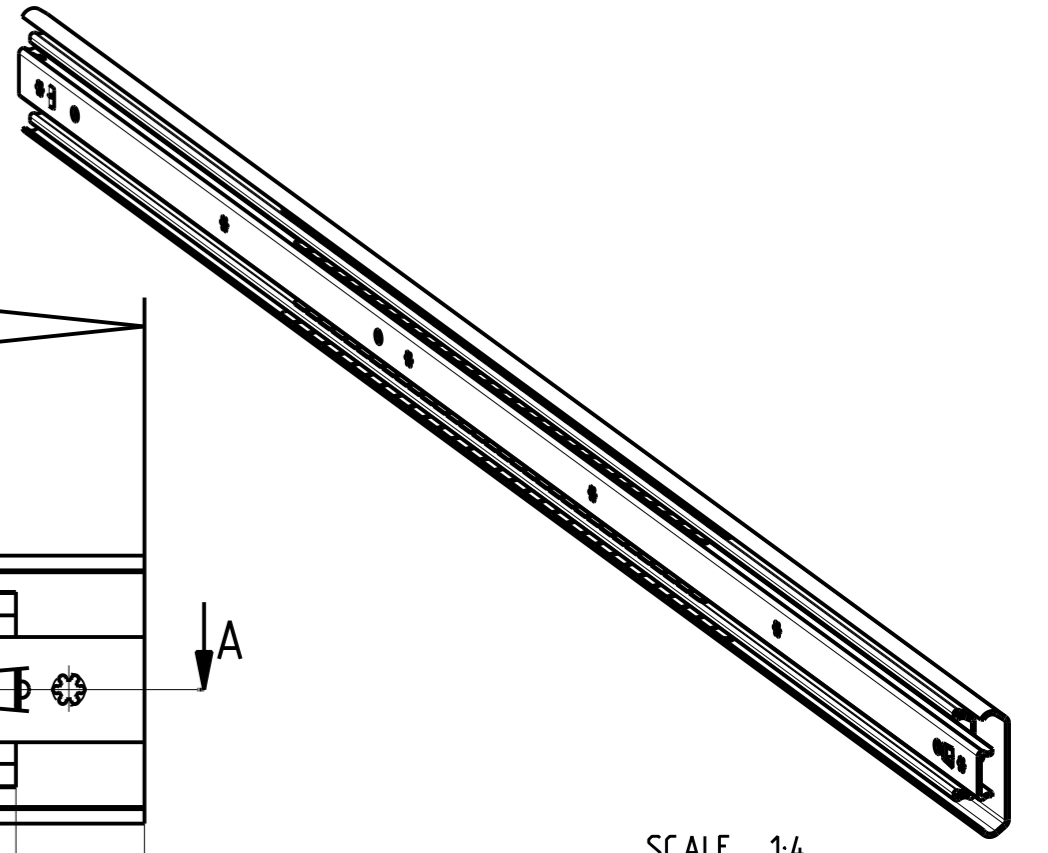
A
B
C
D
E
F
G
H
I
J
K
L
M
N

T 1-2 = 626.0
T 2-3 = 624.0

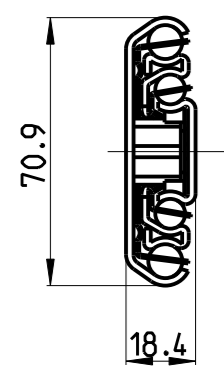


SECTION A-A

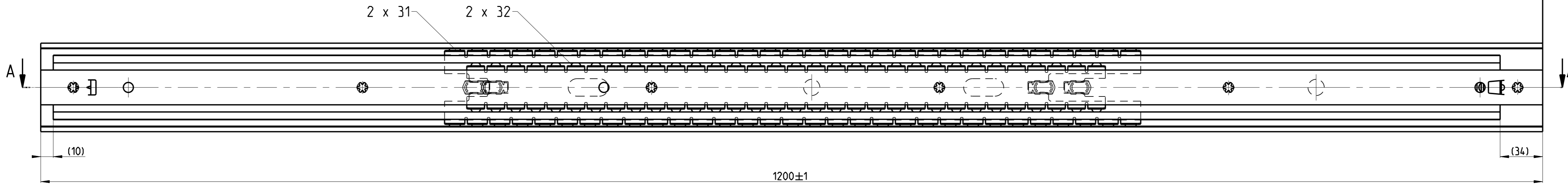
EXTENSION 1250^{±4} mm



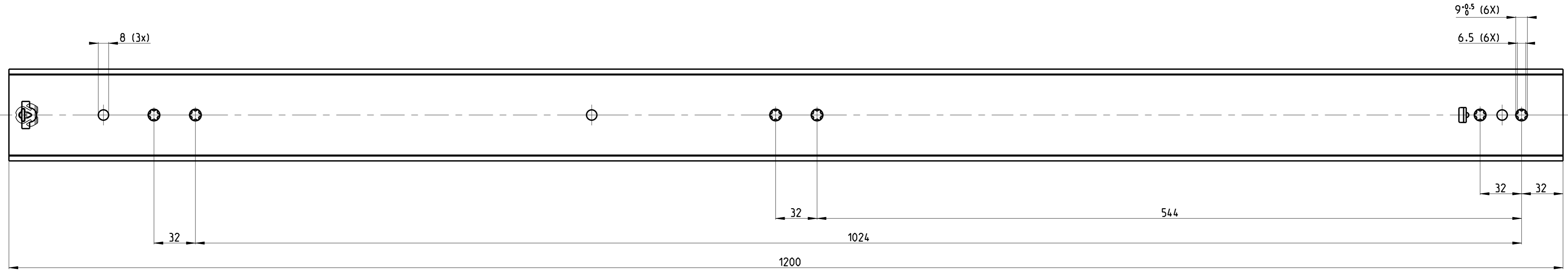
SCALE 1:4



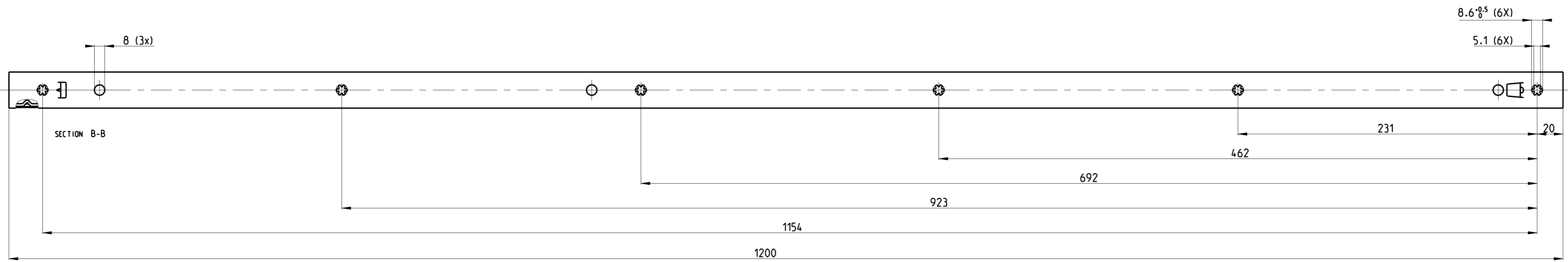
70.9
18.4



511-01-S32-TA1



513-01-S32-TA3



SECTION B-B

PRO/ENGINEER Drawing		Dimensions between marks are guide dimensions. Tolerances unless otherwise stated ±0.5mm.		Thomas Regout Int. B.V. reserves the right to alter non-customer specific specifications without notice.	
Was: - 101-D40-00					
American projection	DIMENSION	mm	MAT.: -		
	SCALE	1:2	REM.: RIGHT HAND SLIDE = LEFT HAND SLIDE		
	DATE	26-09-2011	-		
	DESIGNER	M. Mahieu	-		
CHECKED	-	Type D			
TITAN 1200,0 / 1250,0 (18,5mm)					
THOMAS REGOUT INTERNATIONAL BV			Drw. Nr.		Format.
			101-S32 _ 00		A1
© Thomas Regout International BV All rights are reserved.			Production		

04	-	-	-	-	05	-	-	-	-	06	-	-	-	-
01	-	-	-	-	02	-	-	-	-	03	-	-	-	-