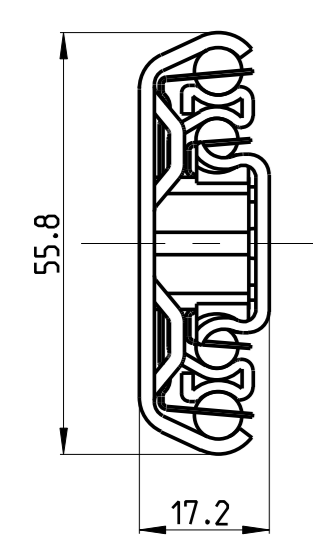
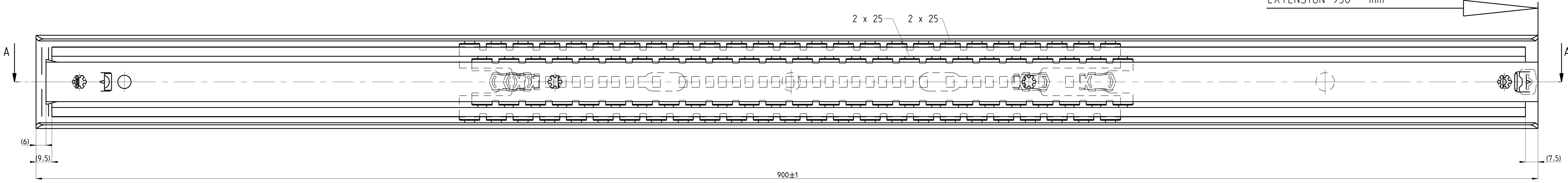


SECTION A-A

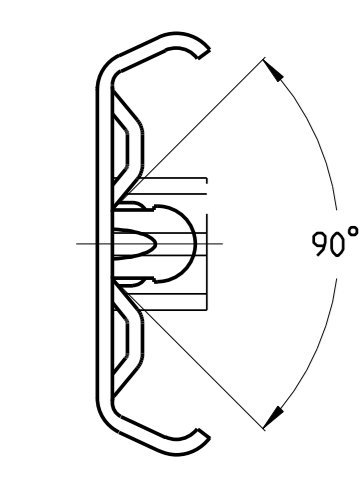
T 1-2 = 488.5
T 2-3 = 461.5



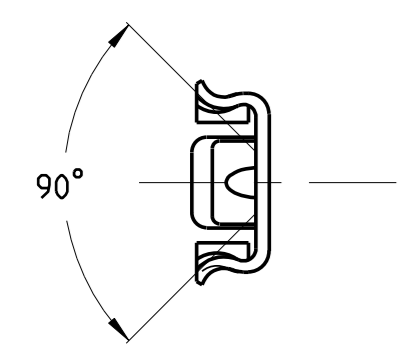
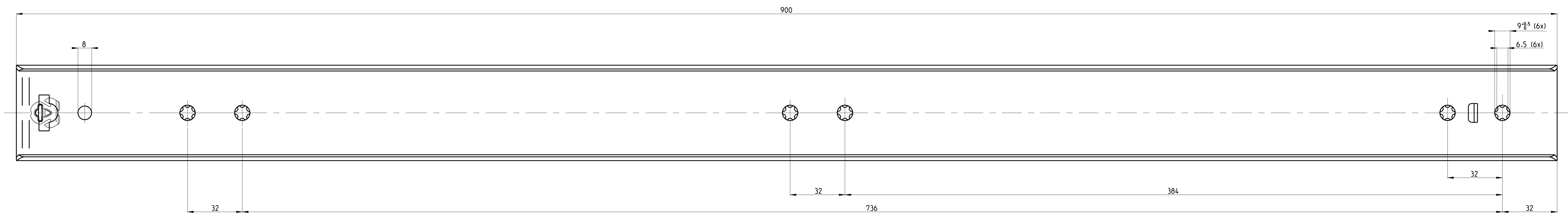
EXTENSION 950^{±4} mm



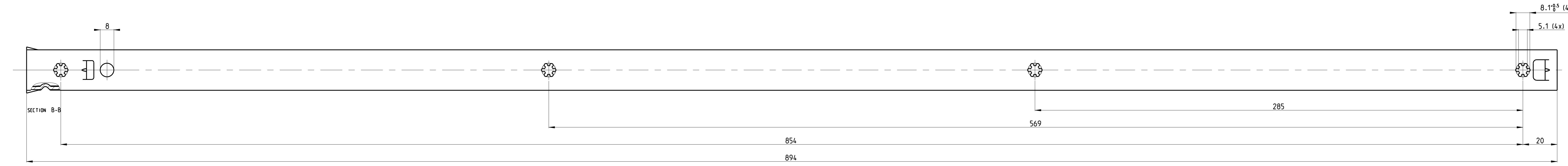
FRONT



511-12-S30-HDA



513-12-S30-UB3



SECTION B-B

PRO/ENGINEER Drawing		Dimensions between marks are guide dimensions. Tolerances unless otherwise stated ±0.5mm.		Thomas Regout Int. B.V. reserves the right to alter non-customer specific specifications without notice.	
Was: -	-	-	-	-	-
American projection	DIMENSION	mm	MAT.	-	-
	SCALE	1:1	REM.	RIGHT HAND SLIDE = LEFT HAND SLIDE	-
	DATE	08-09-2011	-	-	-
	DESIGNER	R. Groen	-	-	-
CHECKED	-	-	TYPE	D	-
ULF HD 900.0 / 950.0 (17.2mm)					
THOMAS REGOUT INTERNATIONAL BV			Draw. Nr.	112-S30 _ 00	Format.
<small>© Thomas Regout International BV. All rights are reserved.</small>				Production	A0