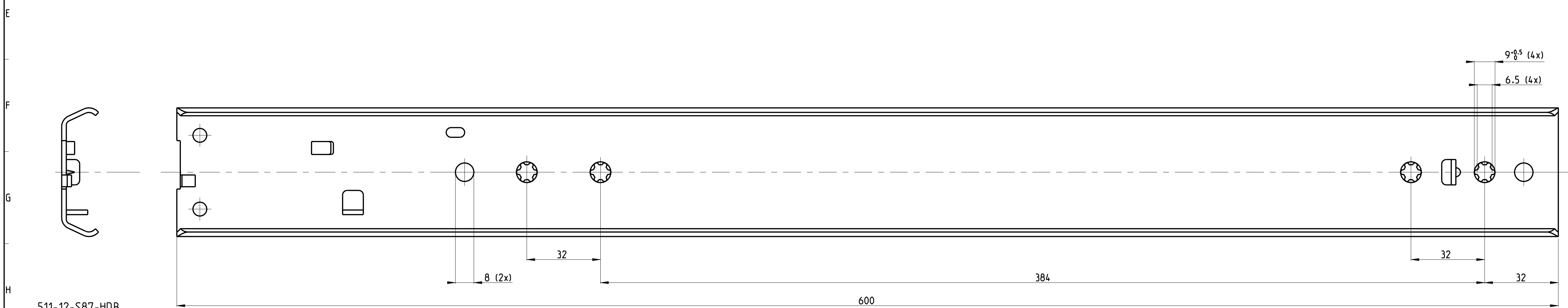
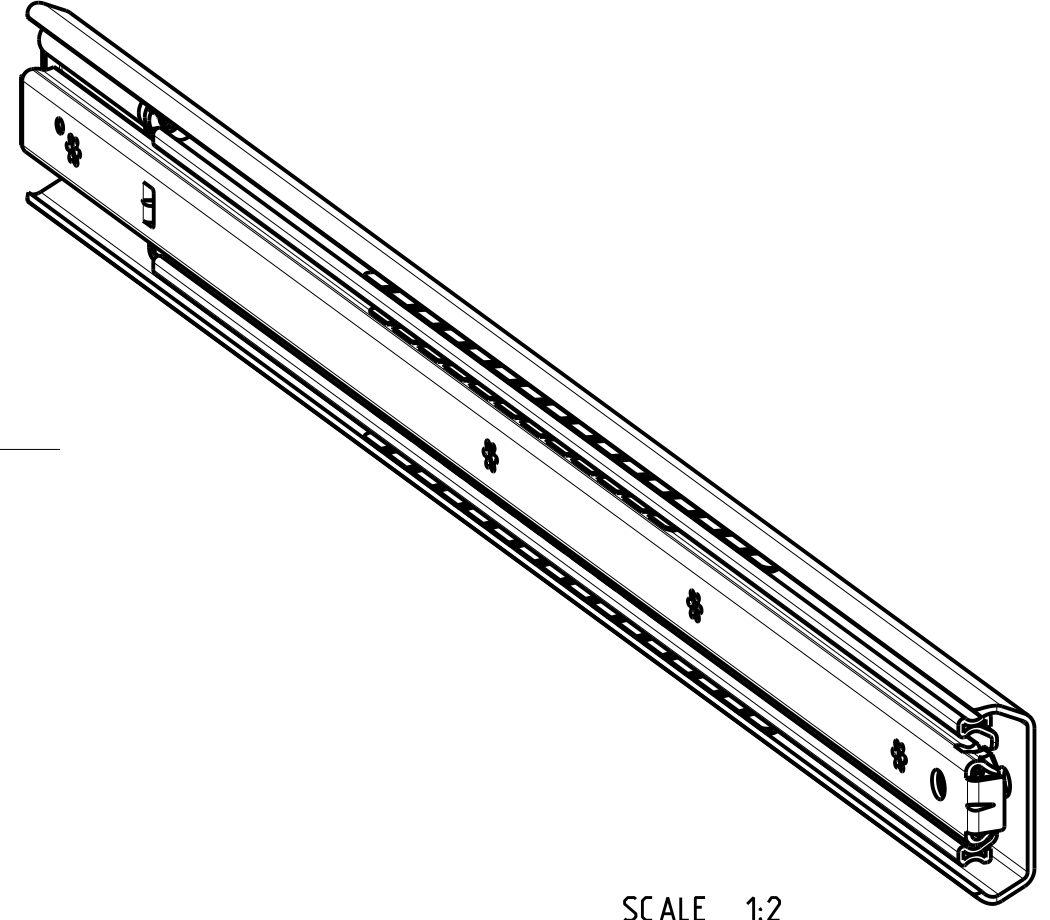
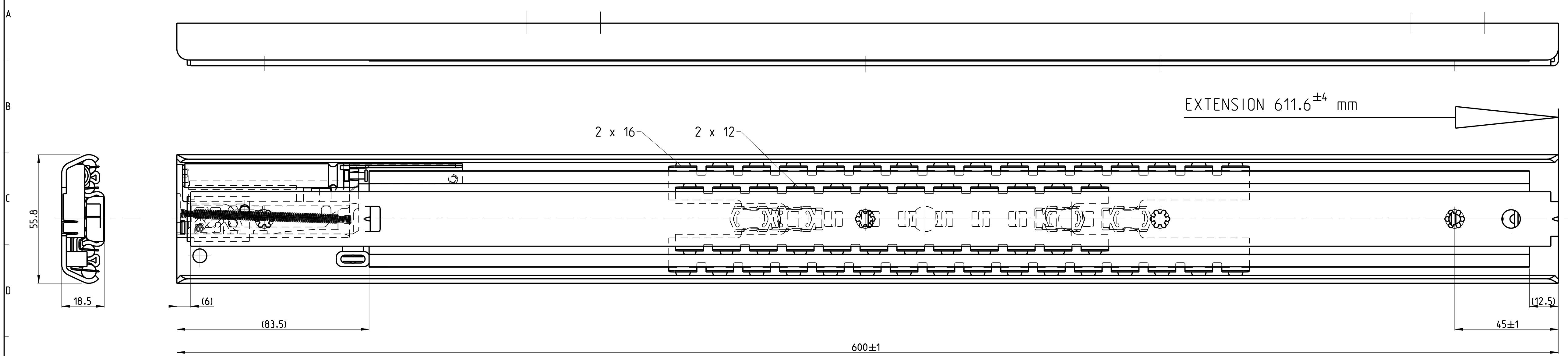
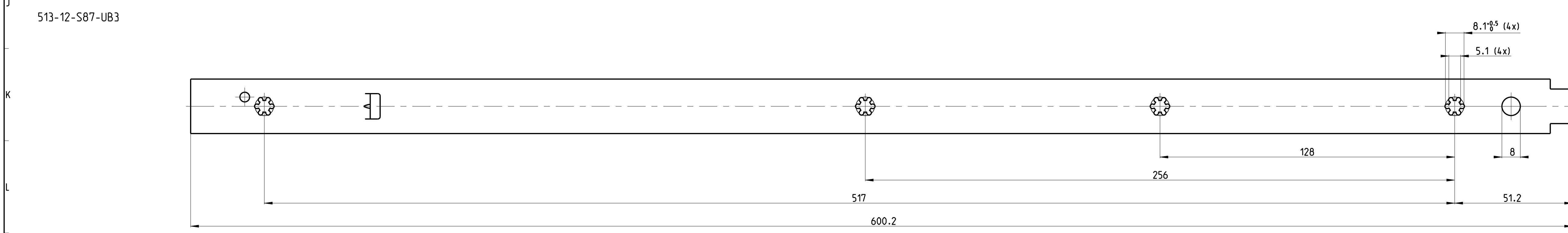
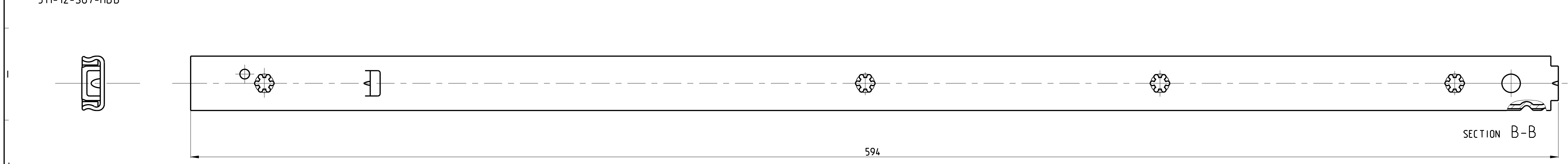


1 2 3 4 5 6 7 8 9 10 11 12 13 14 15 16 17 18 19 20

T 1-2 = 260.5
T 2-3 = 351.1



FRONT



511-12-S87-HDB

513-12-S87-UB3

PRO/ENGINEER Drawing		Dimensions between marks are guide dimensions. Tolerances unless otherwise stated ±0.5mm.		Thomas Regout Int. B.V. reserves the right to alter non-customer specific specifications without notice.	
Was: - 112-R97-01					
American projection	DIMENSION	mm	MAT.: -		
	SCALE	1:1	REM.: RIGHT HAND SLIDE = LEFT HAND SLIDE		
	DATE	12-10-2011	-		
	DESIGNER	M. Mahieu	-		
	CHECKED	-	Type S		
ULF HD 600,0 / 611,6 (18,5mm)					
THOMAS REGOUT INTERNATIONAL BV			Drw. Nr.	Format.	
			112-S87 _ 00	A1	
© Thomas Regout International BV All rights are reserved.			Production		

04	-	-	-	-	05	-	-	-	-	06	-	-	-	-
01	-	-	-	-	02	-	-	-	-	03	-	-	-	-