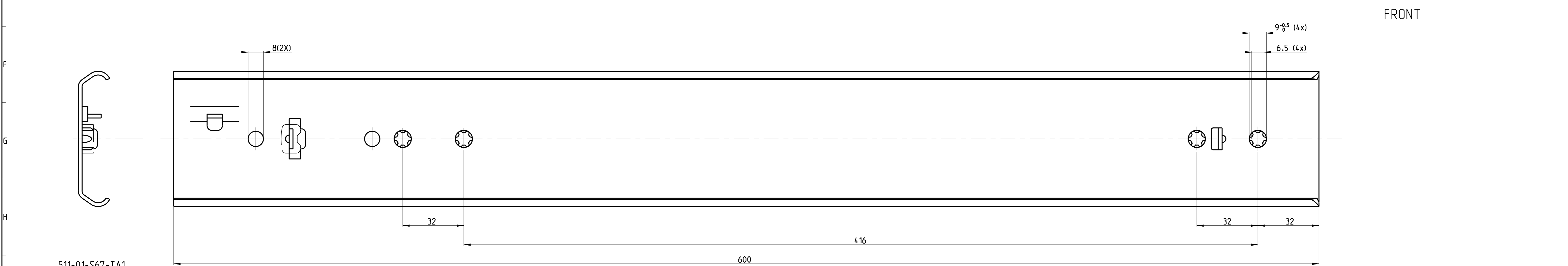
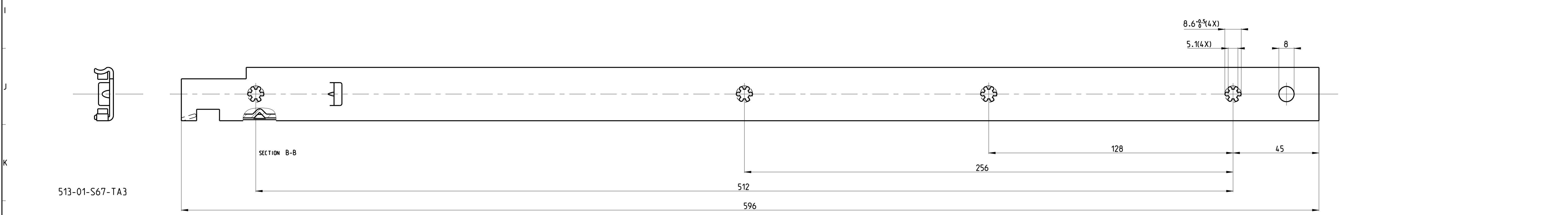


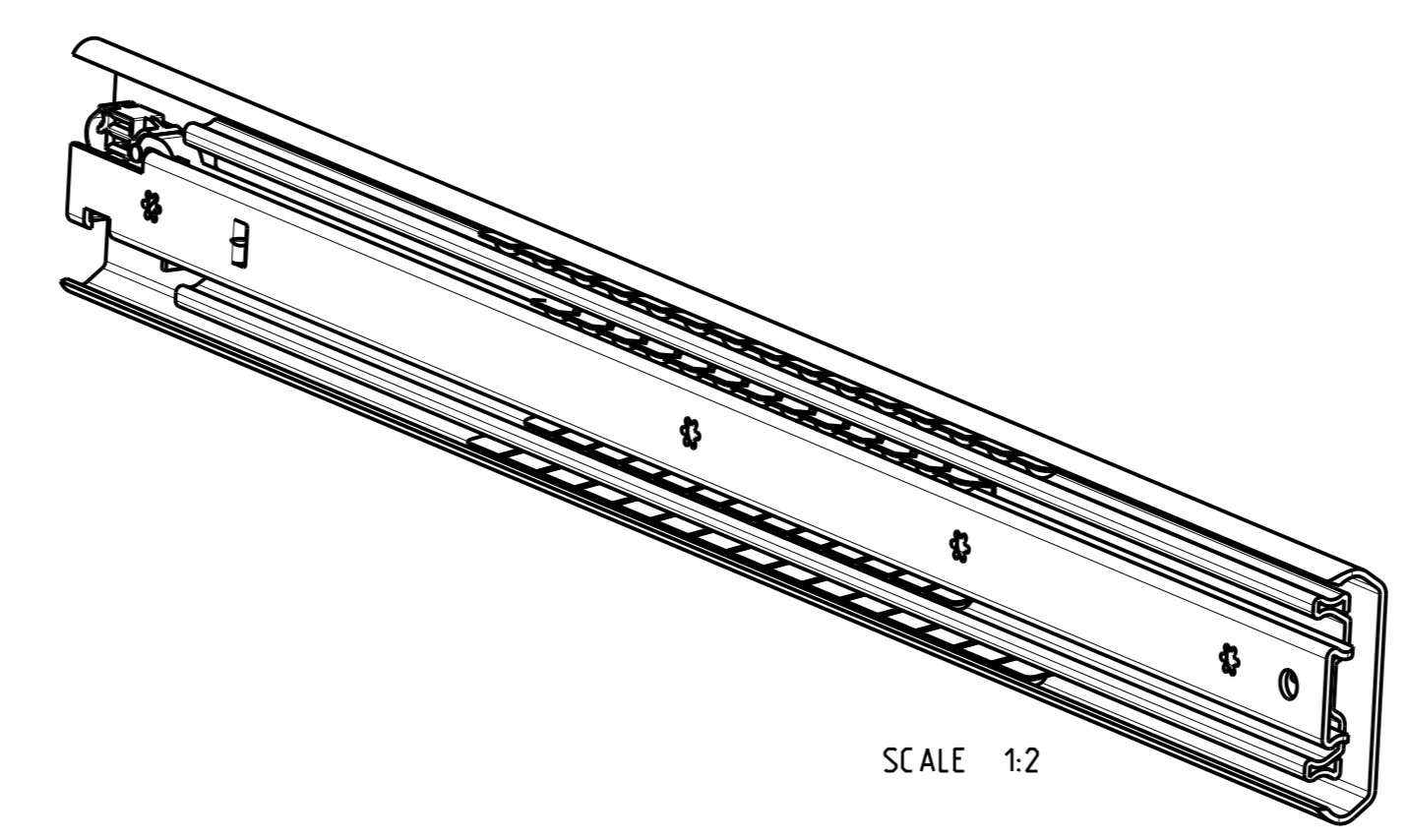
T 1-2 = 276.0  
T 2-3 = 324.0



511-01-S67-TA1



513-01-S67-TA3



SCALE 1:2

PRO/ENGINEER Drawing		Dimensions between marks are guide dimensions. Tolerances unless otherwise stated ±0.5mm.		Thomas Regout Int. B.V. reserves the right to alter non-customer specific specifications without notice.	
Was: - 101-F97-02					
American projection	DIMENSION	mm	MAT.: -	REM.: RIGHT HAND SLIDE = LEFT HAND SLIDE	
	SCALE	1:1	-		
	DATE	28-10-2011	-		
	DESIGNER	M. Mahieu	-		
CHECKED	-	-	Type F		
TITAN 600,0 / 600,0 (18,5mm)					
THOMAS REGOUT INTERNATIONAL BV				Drw. Nr.	Format.
© Thomas Regout International BV All rights are reserved.				101-S67 _ 00	A1
				Production	

04	-	-	-	-	05	-	-	-	-	06	-	-	-	-
01	-	-	-	-	02	-	-	-	-	03	-	-	-	-