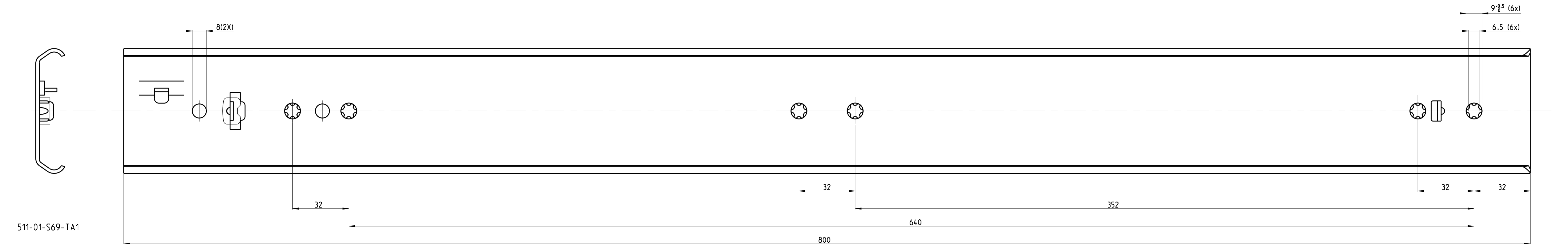
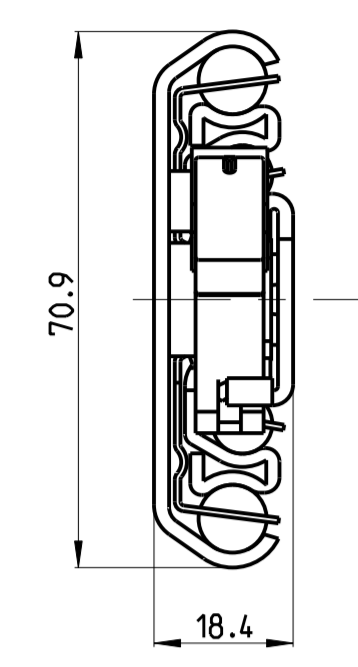
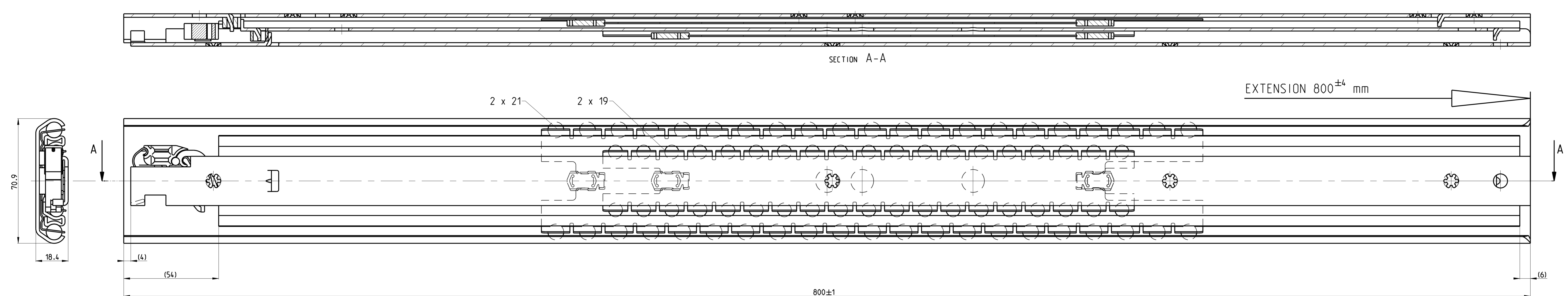
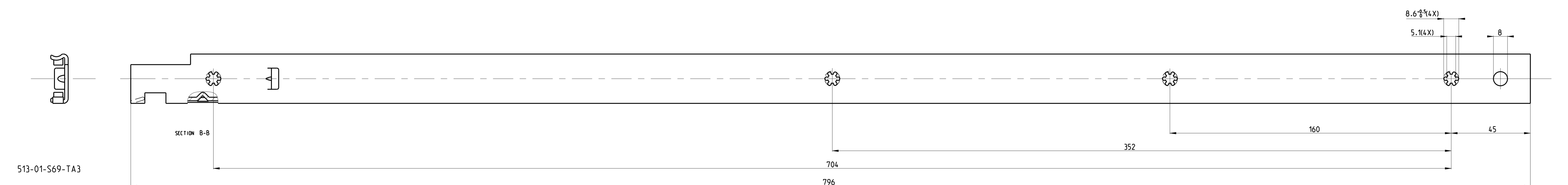


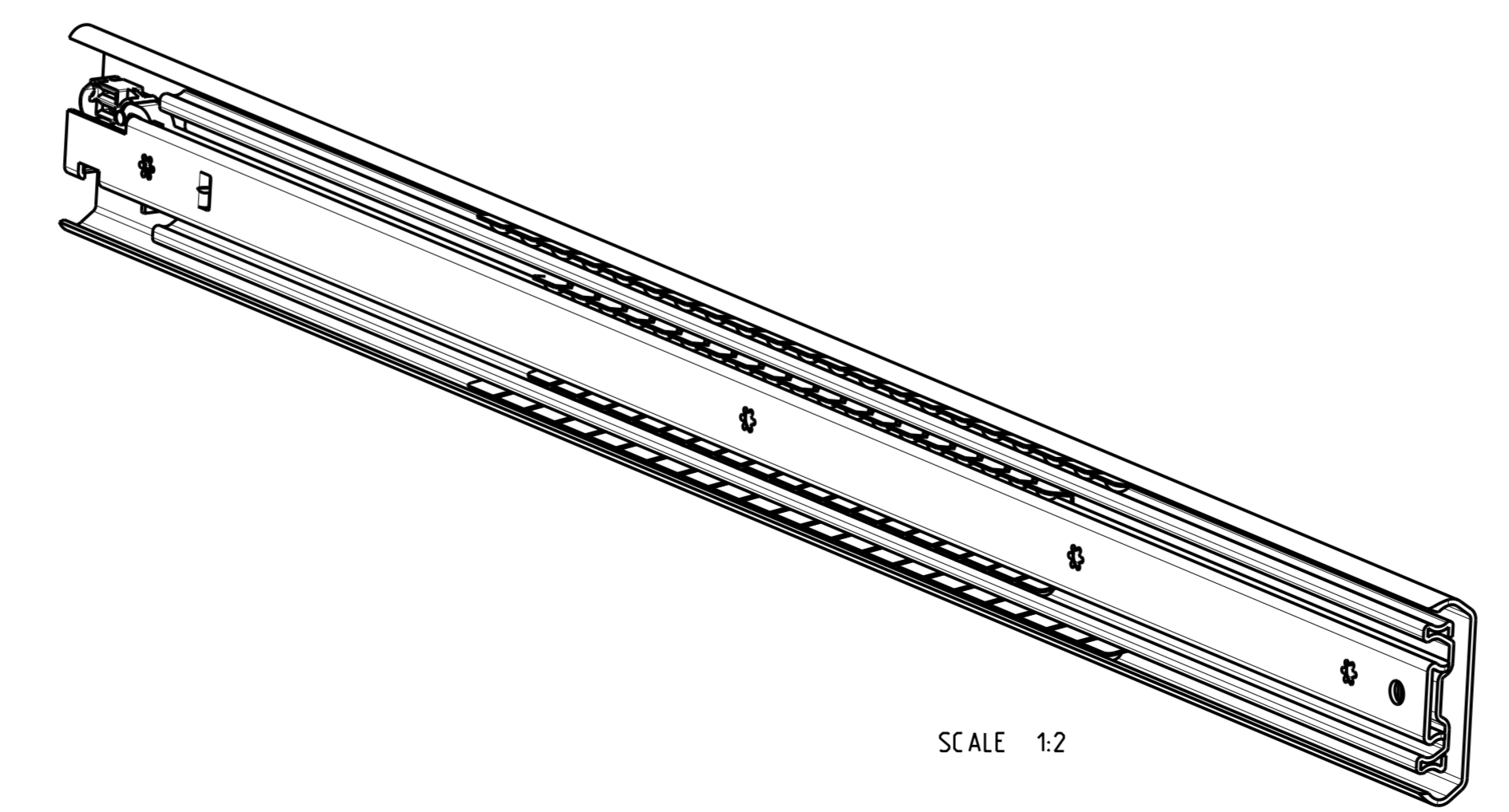
T 1-2 = 368.0
T 2-3 = 432.0



511-01-S69-TA1



513-01-S69-TA3



SCALE 1:2

PRO/ENGINEER Drawing Was: - 101-F99-02	Dimensions between marks are guide dimensions. Tolerances unless otherwise stated ±0.5mm.	Thomas Regout Int. B.V. reserves the right to alter non-customer specific specifications without notice.
American projection	DIMENSION mm	MAT. -
SCALE 1:1	DATE 28-10-2011	REM.: RIGHT HAND SLIDE = LEFT HAND SLIDE
DESIGNER M. Mahieu	CHECKED -	Type F
TITAN 800,0 / 800,0 (18,5mm)		
THOMAS REGOUT INTERNATIONAL BV		Draw. Nr. 101-S69 _ 00
Thomas Regout International BV All rights are reserved.		Format. AO Production

06	-	-	-	07	-	-	-	08	-	-	-	09	-	-	-	10	-	-	-	-	-	-	-	-
01	-	-	-	02	-	-	-	03	-	-	-	04	-	-	-	05	-	-	-	-	-	-	-	-